

ORDERING INFORMATION

We'd be pleased to build a Luke Heritage Galley stove for your boat. Our lead times vary by model; in most instances we can deliver your stove within four to six weeks.

More questions? You can visit our website at <http://www.peluke.com>. There you will find design drawings, installation and maintenance instructions, along with color pictures of Heritage Galley Stove installations.

In addition, we stock a complete line of replacement parts. Having been around for over sixty years, isn't it good to know that there is a company standing behind your stove for the long run?

To place your order please contact us directly.

Paul E. Luke, Inc.
15 Luke's Gulch
East Boothbay, Maine 04544
Telephone (207) 633-4971
Fax (207) 633-3388
Email: heritage@peluke.com
Web page: <http://www.peluke.com>



LUKE HERITAGE GALLEY STOVES

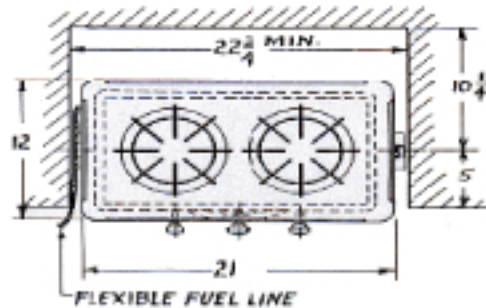
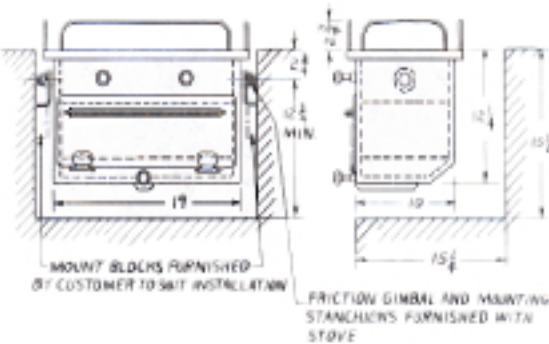
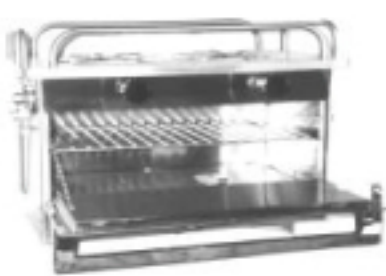


RUGGED
●
DEPENDABLE
●
BUILT TO LAST
●
BLUE WATER TESTED

MODEL 3

Our Model Three stove features two top burners and a thermostatically controlled oven. It is a popular stove in production boats under 35 feet.

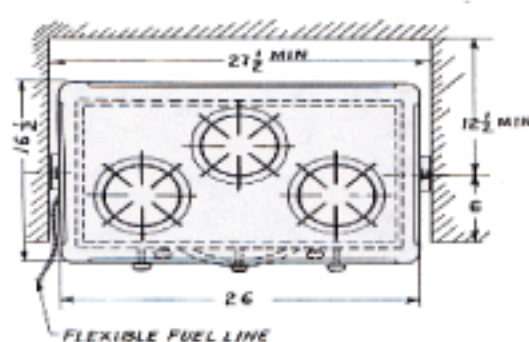
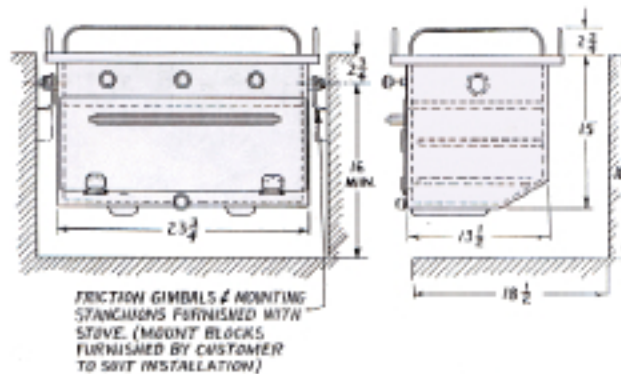
All models are available with either L.P. gas or alcohol burners.



Price \$2499

MODEL 5

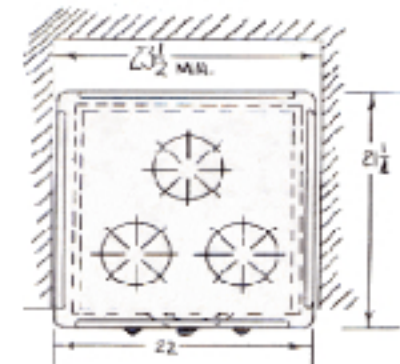
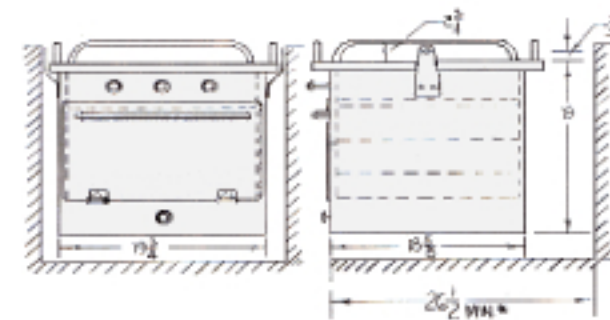
The Model 5 is our most popular stove. Its convenient size makes it the ideal choice for cruisers, and those preparing on board meals on a regular basis.



Price \$3299

MODEL H5

The Model H5 provides the ideal solution for serious cruisers on larger boats, and those in live-aboard situations. Its larger oven size easily accommodates standard baking dishes.



Price \$3499